



PAT McCrory  
Governor

NICHOLAS J. TENNYSON  
Secretary

October 28, 2016

To Prospective Bidders

Subject: Addendum 1

Contract No.: DL00115  
WBS Element: 51214.01C  
Location: US 70 at 7<sup>th</sup> St. SE  
County: Catawba

This letter is to advise all prospective bidders of the following contract addendum. The following changes/additions/deletions have been made.

**Revised plan sheets**

- Revised plan sheet 3-A – Revised Earthwork Table
- Revised plan sheet EC-4 – Added Dewatering Basin
- Revised plan sheet EC-5 – Added Dewatering Basin

**Revised Contract Proposal Pages**

- Page G-7 – Revised SP1 G07C; contract dates.
- Page G-7 – Revised SP1 G13A; Contract dates & Liquidated Damages
- Page R-2 – Revised Culvert Excavation Special Provision
- Page R-3 – Revised Lump Sum Grading Special Provision
- Page R-32 – Revised Existing 7x8 Culvert Clean Out Special Provision
- Page EC-17 – Added Stormwater Basin Special Provision
- Page EC-19 – Added Lined Channel Special Provision

**Revised Bid Form**

- Revised bid form to reflect changes on plans and specification.
- A Revised EBS file has been placed on the website for those wishing to bid electronically.

Please replace the provisions and plan sheets you already have with these before bidding.

Sincerely,

A handwritten signature in black ink that reads "Mark E. Stafford". The signature is written in a cursive style.

Mark Stafford, PE  
Division Engineer

bs



- (D) The individual attending is an officer or permanent employee of the company they are representing.

Any individual arriving after the official roster has been received by the Engineer will not be eligible to bid. Attendance at any prior pre-bid conference will not meet the requirement of this provision.

**CONTRACT TIME AND LIQUIDATED DAMAGES:**

(4-17-12)

108

SP1 G07 C

The date of availability for this contract is **December 1, 2016**.

The completion date for this contract is **February 1, 2018**.

Except where otherwise provided by the contract, observation periods required by the contract will not be a part of the work to be completed by the completion date and/or intermediate contract times stated in the contract. The acceptable completion of the observation periods that extend beyond the final completion date shall be a part of the work covered by the performance and payment bonds.

The liquidated damages for this contract are **Two Hundred Dollars (\$ 200.00)** per calendar day. These liquidated damages will not be cumulative with any liquidated damages which may become chargeable under Intermediate Contract Time Number 1.

**INTERMEDIATE CONTRACT TIME NUMBER 1 AND LIQUIDATED DAMAGES:**

(7-1-95) (Rev. 2-21-12)

108

SP1 G13 A

Except for that work required under the Project Special Provisions entitled *Planting, Reforestation* and/or *Permanent Vegetation Establishment*, included elsewhere in this proposal, the Contractor will be required to complete all work included in this contract and shall place and maintain traffic on same.

The date of availability for this intermediate contract time is **December 1, 2016**.

The completion date for this intermediate contract time is **August 25, 2017**.

The liquidated damages for this intermediate contract time are **Two Hundred Fifty (\$250.00)** per calendar day.

Upon apparent completion of all the work required to be completed by this intermediate date, a final inspection will be held in accordance with Article 105-17 and upon acceptance, the Department will assume responsibility for the maintenance of all work except *Planting, Reforestation* and/or *Permanent Vegetation Establishment*. The Contractor will be responsible

**BYPASS PUMPING AND SITE DEWATERING:**

10-10-16

Before mobilizing onto the project the contractor shall submit for approval a bypass pumping and site dewatering plan. No work will be allowed on the project prior to this plan being approved.

**CULVERT EXCAVATION STA. ±3+00 TO ±6+00:**

(Rev. 10-7-16)

410-10 &amp; 414-9

Revise the *2012 Standard Specifications* as follows:

**Page 4-24, Article 414-9 Measurement And Payment, line 20-21**, replace the words *Extra Work* with the words *Comprehensive Grading*. Remove the phrase *in accordance with Article 104-7* from the end of the sentence.

**Page 4-8, Article 410-10C Furnishing and Hauling Backfill Material, line 38-39** replace the words *Extra Work* with the words *Comprehensive Grading*. Remove the phrase *in accordance with Article 104-7* from the end of the sentence.

**COORDINATION OF LIGHTING WITH CITY OF HICKORY:**

10-10-16

Coordinate with the City of Hickory for the removal of light poles, disconnection of electrical service and anchor bolt patterns on standard foundations **48 hours** before beginning excavation on parcel #3. The contact person for the City of Hickory is:

**Chuck Hansen**  
**City of Hickory – Public Services Director**  
**Phone: 828-323-7500**  
**chansen@hickorync.gov**

**UTILITY OWNER INFORMATION:**

10-10-16

**General:**

The following utility companies have facilities within the proposed construction limits of this project (as depicted on the attached map):

1. CenturyLink – Telecommunications
2. Charter Communication – Cable Television
3. City of Hickory – Public Utilities, Water and Sanitary Sewer
4. Duke Energy – Power Distribution
5. Piedmont Natural Gas- Natural Gas Distribution

**Utility Description and Contacts:****CenturyLink**

1. Century Link has two underground coax and one fiber optic telecommunication cables parallel to US 70 SE and one fiber optic cable along the west side of 7<sup>th</sup> St. SE
2. Contact is Mr. Steve Land, phone (828) 328-0169

**Charter Communications**

1. Charter Communications has one underground coax television cable along the south side , parallel to US-70 SE
2. Contact is Mr. Craig Cline, phone (828) 217-9381

**City of Hickory**

1. City of Hickory has two water lines parallel to US-70 SE, a 20" main line to the north and a 8" line to the south, both with various services and meters. The COH also has a 24" gravity sanitary sewer line, with various manholes along the west side of 7<sup>th</sup> St. SE
2. Contact Mr. Paul Solomon, phone (828) 323-7427

**Duke Energy**

1. Duke Energy has one underground distribution line on the east side of 7<sup>th</sup> St. SE
2. Contact Mr. Cregg Parks, phone (828)323-2819

**Piedmont Natural Gas**

1. Piedmont Natural Gas has two 4" PVC natural gas distribution lines, with various valves and crossing along both sides of US-70 SE and one 4" distribution line on the west side of 7<sup>th</sup> St. SE
2. Contact Mr. Richard Lawrence, phone (828) 322-1613

**LUMP SUM GRADING:**

(8-17-10)

226

SP2 R16

Lump sum grading shall be performed in accordance with Section 226 Comprehensive Grading of the *2012 Standard Specifications* except as follows:

Delete all references to Section 225, Unclassified Excavation and replace with Section 414, Box Culvert Excavation.

Revise the *2012 Standard Specifications* as follows:

**Page 2-17, Article 226-3 Measurement and Payment, Delete lines 1-3.**

**EXISTING 7 x 8 CULVERT CLEAN OUT**

(10-28-16)

**Description**

Clean out silt accumulations and other debris from existing 7 x 8 box culvert as directed by the Engineer. Existing 7 x 8 box culvert should be clean at the completion of the contract.

**Construction Methods**

Use clean out method that does not damage the existing culvert.

**Measurement and Payment**

*Existing 7x8 Culvert Clean Out* will be paid for at the contract lump sum unit price for Existing 7x8 Culvert Clean Out. Such price and payment will be full compensation for cleaning out the existing culvert and disposing of all debris.

Payment will be made under:

**Pay Item**

Existing 7 x 8 Culvert Clean Out

**Pay Unit**

Lump Sum

**STORMWATER BASIN EROSION CONTROL:**

**Description**

Provide a skimmer to remove sediment from construction site runoff in permanent stormwater basins at locations shown in the erosion control plans. Work includes constructing basin, installation of coir fiber baffles, furnishing, installation and cleanout of skimmer, providing and placing stone pad on bottom of basin underneath skimmer device, stabilizing side slopes of basin with matting and seed, disposing of excess materials, removing coir fiber baffles, and skimmer device.

**Materials**

<b>Item</b>	<b>Section</b>
Seeding and Mulching	1060-4
Matting for Erosion Control	1060-8
Staples	1060-8
Coir Fiber Baffle	1640

Provide appropriately sized and approved skimmer device.

Provide Schedule 40 PVC pipe with a length of 6 ft. to attach to the skimmer and the coupling connection to serve as the arm pipe. For skimmer sizes of 2.5 in. and smaller, the arm pipe diameter shall be 1.5 inches. For skimmer sizes of 3 in. and larger, refer to manufacturer recommendation.

Provide 4” diameter Schedule 40 PVC pipe to attach to coupling connection of skimmer to serve as the barrel pipe through the earthen dam.

**Construction Methods**

Construct permanent stormwater basin according to the plans with basin surface free of obstructions, debris, and pockets of low-density material. Construct the coir fiber baffles according to *Roadway Standard Drawings* No. 1640.01 and Section 1640 of the *Standard Specifications*.

Install skimmer device according to manufacturer recommendations. Install the coupling connection provided with the skimmer 1 ft. from the bottom of the basin and attach to permanent stormwater drainage structure. Attach the 6 ft. arm pipe to the coupling connection and skimmer according to manufacturer recommendations. The coupling shall be rigid and non-buoyant and not exceed a diameter of 4” and 12” in length. Attach the rope included with the skimmer to the tee between the vent socket and the tube inlet, and the other end to a wooden stake or metal post. Clean out skimmer device when it becomes clogged with sediment and/or debris and is unable to float at the top of water in basin. Take appropriate measures to avoid ice accumulation in the skimmer device. Construct a stone pad of Class B stone directly underneath the skimmer device

# EC-18

at bottom of basin. The pad shall be a minimum of 12" in height, and shall have a minimum cross sectional area of 4 ft. by 4 ft.

All bare side slope sections of the stormwater basin shall be seeded with a permanent seed mix as directed and in accordance with Articles 1660-4, 1660-5 and 1660-7 of the *Standard Specifications*. Straw or excelsior matting shall be installed on all bare side slope sections immediately upon the completion of seeding and in accordance with Article 1631-3 of the *Standard Specifications*.

## Measurement and Payment

*Silt Excavation* will be measured and paid for in accordance with Article 1630-4 of the *Standard Specifications*, as calculated from the typical section throughout the length of the basin as shown on the final approved plans.

*Coir Fiber Baffles* will be measured and paid for in Accordance with Article 1640-4 of the *Standard Specifications*.

\_\_\_" *Skimmer* will be measured in units of each. \_\_\_" *Skimmer* will be measured and paid for as the maximum number of each size skimmer acceptably installed and in use at any one time during the life of the project. Barrel and arm pipe, cleanout, relocation and reinstallation of \_\_\_" *Skimmer* is considered incidental to the measurement of the quantity of \_\_\_" *Skimmer* and no separate payment will be made. No separate payment shall be made if \_\_\_" *Skimmer*, barrel and/or arm pipe(s) are damaged by ice accumulation.

*Stone for Erosion Control, Class \_\_\_* will be measured and paid for in accordance with Article 1610-4 of the *Standard Specifications*.

*Seeding and Mulching* will be measured and paid for in accordance with Article 1660-8 of the *Standard Specifications*.

*Matting for Erosion Control* will be measured and paid for in accordance with Article 1631-4 of the *Standard Specifications*.

No measurement will be made for other items or for over excavation or stockpiling.

Payment will be made under:

<b>Pay Item</b>	<b>Pay Unit</b>
___" Skimmer	Each

**LINED CHANNEL:**

**Description**

This work consists of installing, maintaining, and removing any and all material required for the construction of a lined channel. The lined channel shall be used to direct water flowing from offsite around/away from specific area(s) of construction.

**Materials**

Refer to Division 10

<b>Item</b>	<b>Section</b>
Geotextile for Soil Stabilization, Type 4	1056

**Construction Methods**

The Contractor shall install the lined channel in accordance with the details in the plans and at locations indicated in the plans, and as directed. Upon installation, the excavated material shall be immediately stabilized as provided in Section 1620 of the *Standard Specifications*. Other stabilization methods may be utilized with prior approval from the Engineer.

Line the channel with geotextile unrolled in the direction of flow and lay smoothly but loosely on soil surface without creases. Bury top of slope geotextile edge in a trench at least 5" deep and tamp securely. Make vertical overlaps a minimum of 18" with upstream geotextile overlapping the downstream geotextile.

Secure geotextile with eleven gauge wire staples shaped into a *u* shape with a length of not less than 6" and a throat not less than 1" in width. Place staples along outer edges and throughout the geotextile a maximum of 3 ft. horizontally and vertically.

**Measurement and Payment**

*Silt Excavation* will be measured and paid for in accordance with Article 1630-4 of the *Standard Specifications*.

*Geotextile for Soil Stabilization* will be measured and paid for in accordance with Article 270-4 of the *Standard Specifications*.

Stabilization of the excavated material will be paid for as *Temporary Seeding* as provided in Section 1620 of the *Standard Specifications*.

Such price and payment shall be considered full compensation for all work covered by this section including all materials, construction, maintenance, and removal of the lined channel.



COMPUTED BY: BKS \_\_\_\_\_ DATE: 10/28/16  
 CHECKED BY: BKS \_\_\_\_\_ DATE: 10/28/16

PROJECT NO. 51214.01C SHEET NO. 3B-1

STATE OF NORTH CAROLINA  
 DIVISION OF HIGHWAYS

**SUMMARY OF EARTHWORK**

Station	Station	Culvert Excav.	Embank. +%	Borrow	Waste
3+00	5+93	51,000	69,000	69,000	51,000
<b>SUBTOTALS:</b>		51000	69000	69000	51000
<b>SUBTOTALS:</b>		51000	69000	69000	51000
<b>Est. 5% to replace topsoil in borrow pit</b>				3450	
<b>PROJECT TOTALS:</b>		51000	69000	72450	51000
<b>PROJECT TOTALS:</b>		51000	69000	72450	51000
<b>GRAND TOTALS:</b>		51000	69000	72450	51000
<b>SAY:</b>		<b>51000</b>		<b>75000</b>	

Note: Approximate quantities only. Borrow Excavation, Fine Grading, Clearing and Grubbing, Breaking of Existing Pavement, and Removal of Existing Pavement inside the project limits will be paid for at the contract lump sum price for grading. Excavation will be paid for at contract lump sum price for culvert excavation.

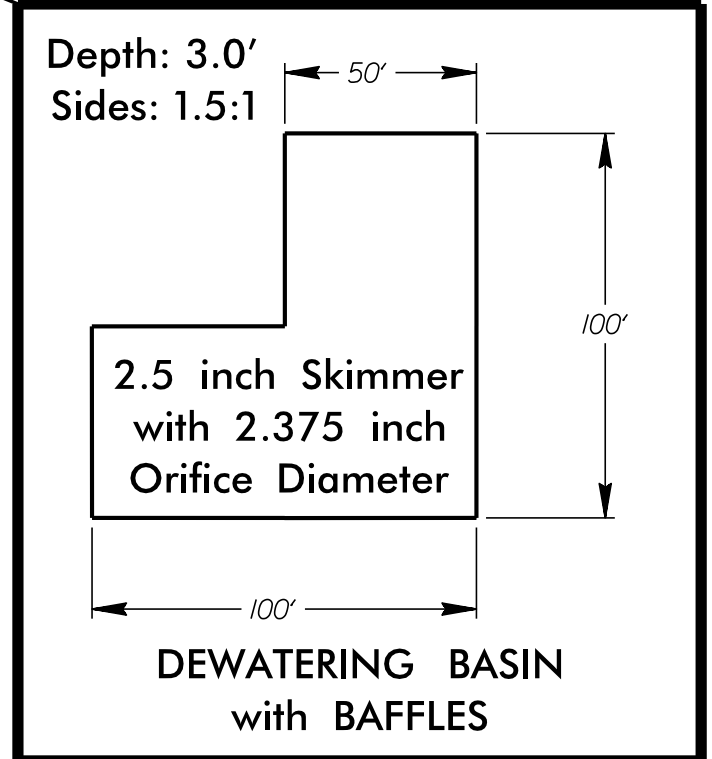
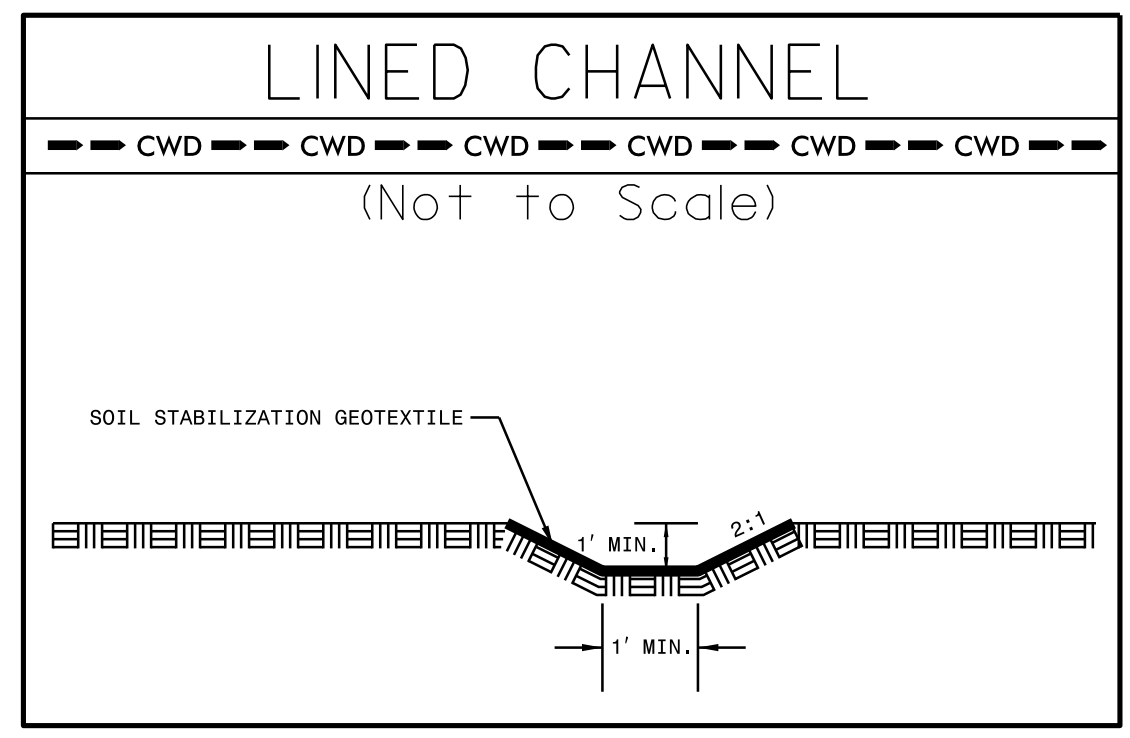
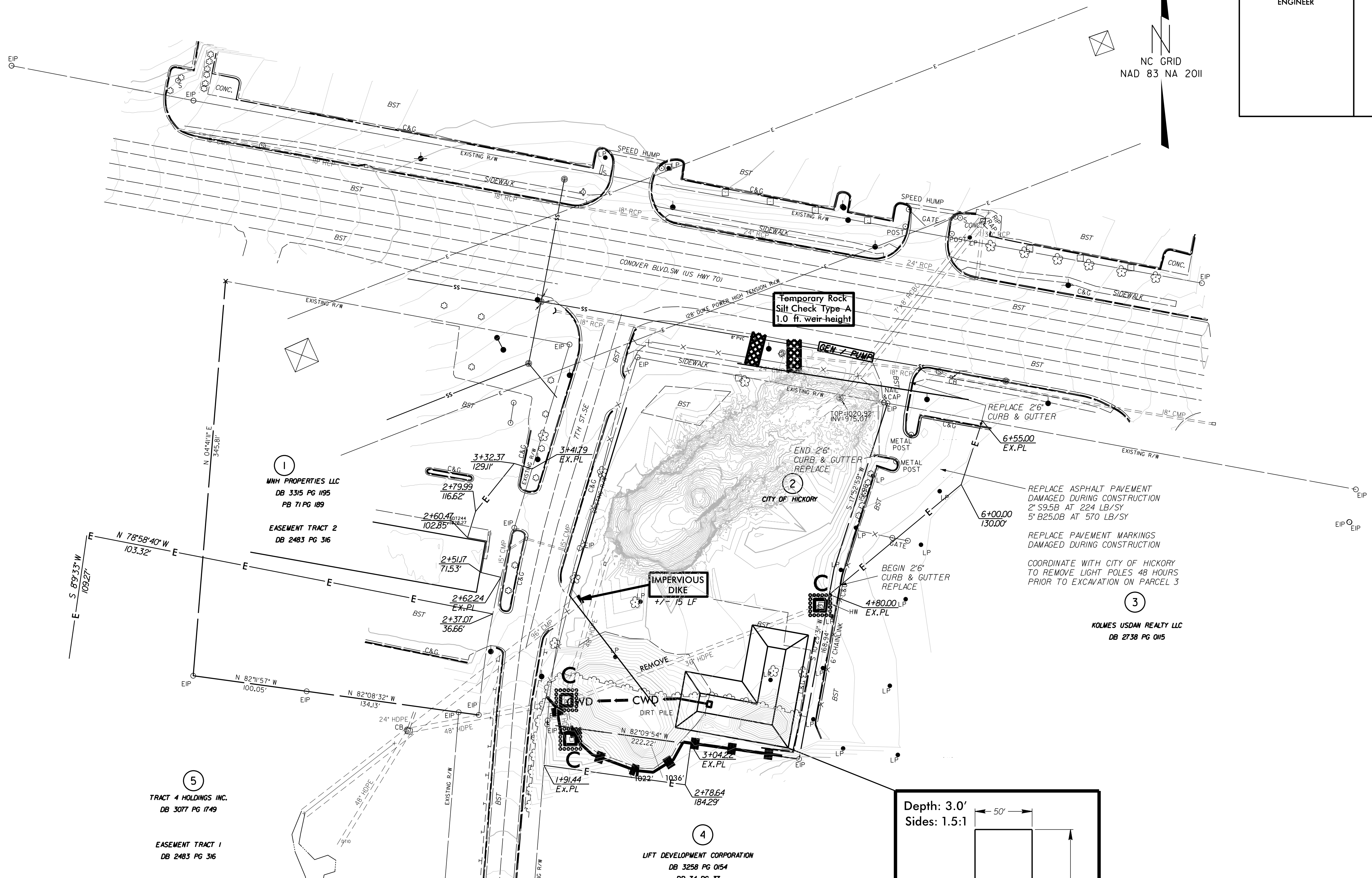
Note: Man made materials may be encountered during excavation. Removal of this material will be paid for at the contract lump sum price for grading.

**PAVEMENT REMOVAL SUMMARY**

IN SQUARE YARDS							
SURVEY LINE	Station	Station	LOCATION LT/RT/CL	ASPHALT REMOVAL	ASPHALT BREAKUP	CONCRETE REMOVAL	CONCRETE BREAKUP
-CULVERT-	±3+00	±4+42	RT	1000			
-CULVERT-	±4+50	±5+20	LT	200			
-CULVERT-	±5+00	±6+35	RT	750			
<b>TOTAL:</b>				1950			
<b>SAY:</b>				2000			

PROJECT REFERENCE NO.	SHEET NO.
51214.01C	EC-4/CONST. 4
RW SHEET NO.	
ROADWAY DESIGN ENGINEER	HYDRAULICS ENGINEER

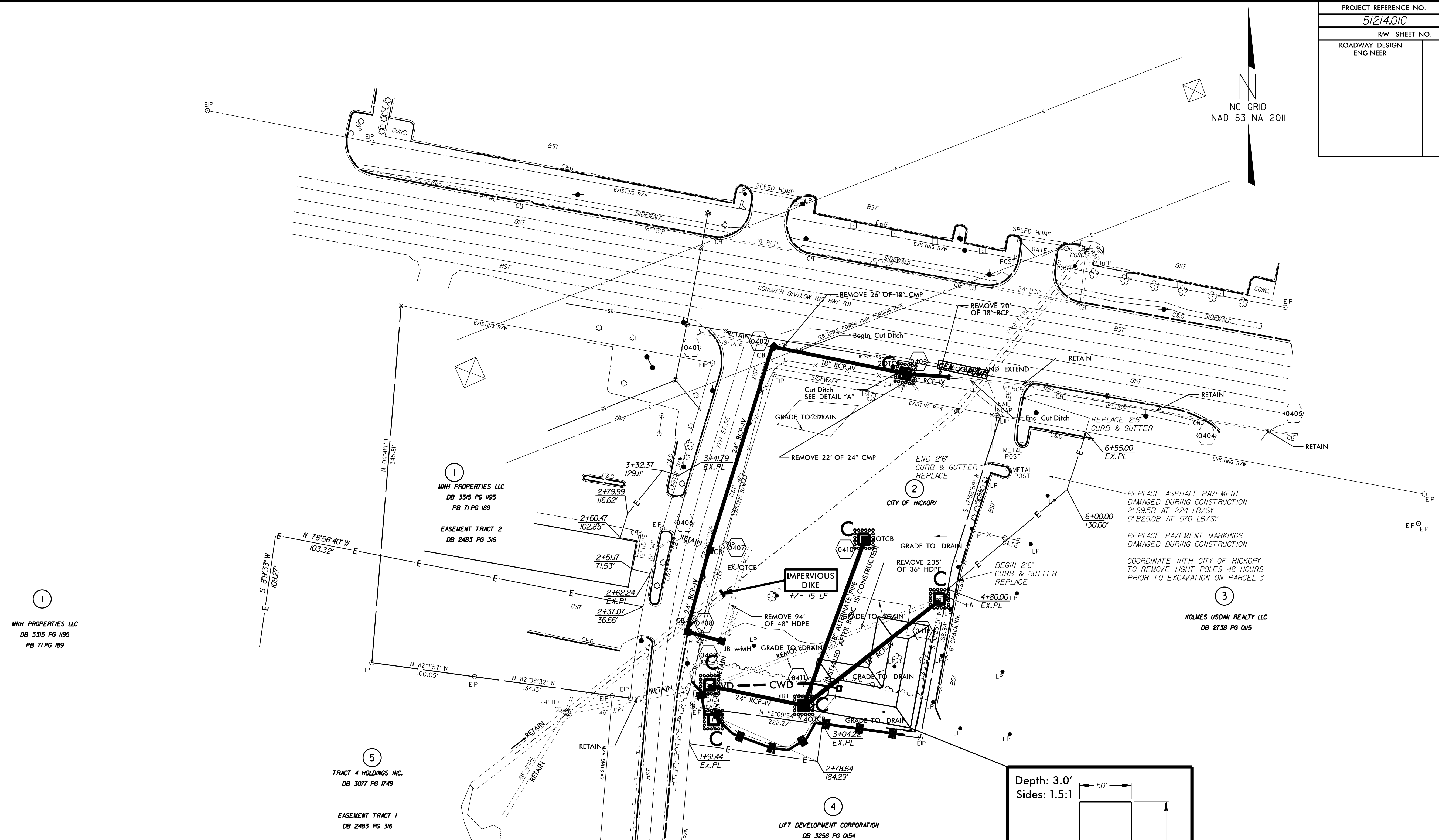
NC GRID  
NAD 83 NA 2011



28-OCT-2016 14:57 C:\ata\ba\US 70 Sinkhole\plansheets\51214.01C-EC.dgn-EC-4.dgn  
 3:48:53 PM  
 8/17/99

PROJECT REFERENCE NO. 51214.01C	SHEET NO. EC-5/CONST.4
RW SHEET NO.	
ROADWAY DESIGN ENGINEER	HYDRAULICS ENGINEER

NC GRID  
NAD 83 NA 2011



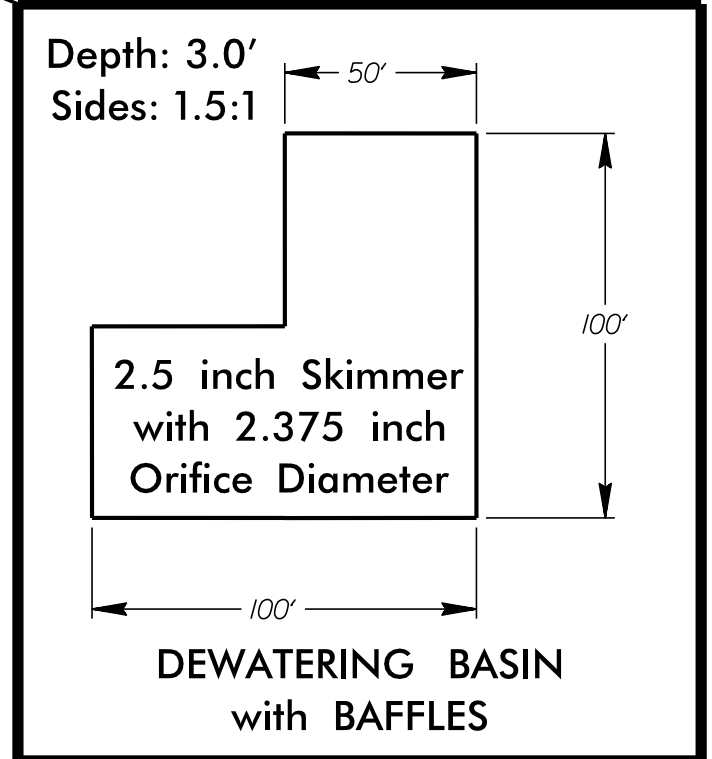
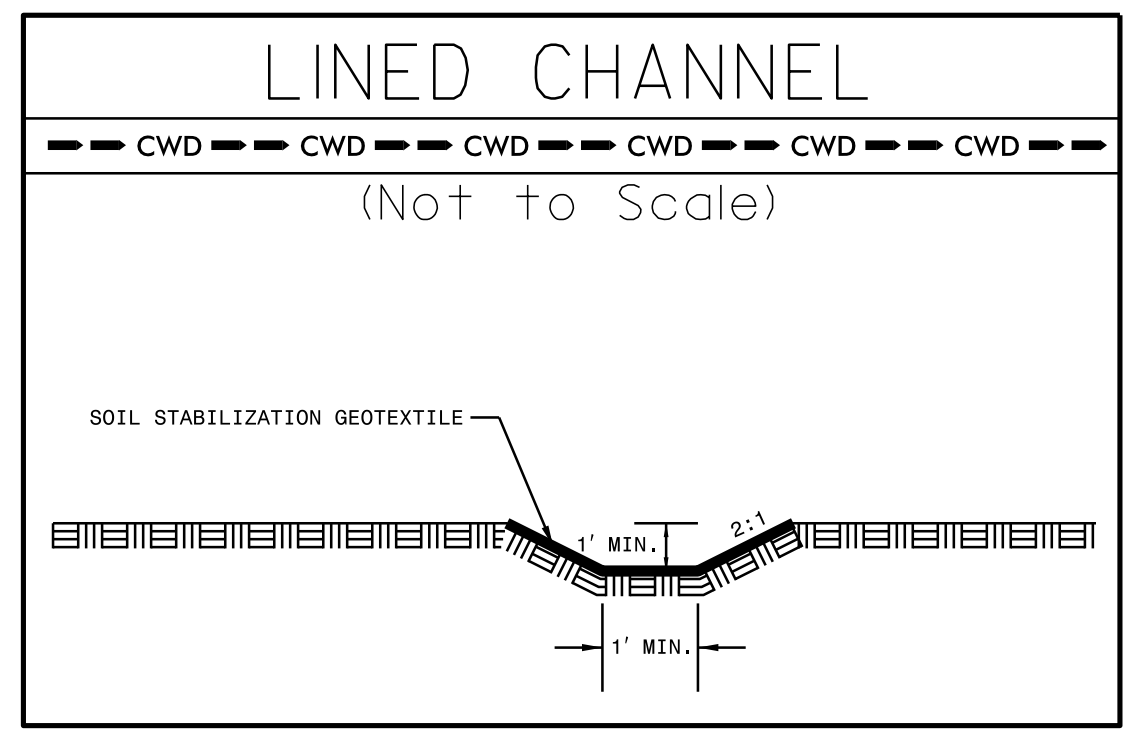
1  
MNH PROPERTIES LLC  
DB 3315 PG 195  
PB 71 PG 189

1  
MNH PROPERTIES LLC  
DB 3315 PG 195  
PB 71 PG 189  
EASEMENT TRACT 2  
DB 2483 PG 316

5  
TRACT 4 HOLDINGS INC.  
DB 3077 PG 1749  
EASEMENT TRACT 1  
DB 2483 PG 316

4  
LIFT DEVELOPMENT CORPORATION  
DB 3258 PG 0154  
PB 74 PG 37

3  
KOLMES USDAM REALTY LLC  
DB 2738 PG 015



REPLACE ASPHALT PAVEMENT  
DAMAGED DURING CONSTRUCTION  
2" S9.5B AT 224 LB/SY  
5" B25.0B AT 570 LB/SY  
REPLACE PAVEMENT MARKINGS  
DAMAGED DURING CONSTRUCTION  
COORDINATE WITH CITY OF HICKORY  
TO REMOVE LIGHT POLES 48 HOURS  
PRIOR TO EXCAVATION ON PARCEL 3

28-OCT-2016 15:01:33 C:\ata\ba\US 70 Sinkhole\plan\sheet\51214.01C-EC.dgn EC-5.dgn  
 3:48:53 PM  
 8/17/99

County : Catawba

Line #	Item Number	Sec #	Description	Quantity	Unit Cost	Amount
<b>ROADWAY ITEMS</b>						
0001	0000100000-N	800	MOBILIZATION	Lump Sum	L.S.	
0002	0000400000-N	801	CONSTRUCTION SURVEYING	Lump Sum	L.S.	
0003	0000900000-N	SP	GENERIC MISCELLANEOUS ITEM (PRECONSTRUCTION SURVEYS)	Lump Sum	L.S.	
0004	0050000000-E	226	SUPPLEMENTARY CLEARING & GRUB- BING	1 ACR		
0005	0063000000-N	SP	GRADING	Lump Sum	L.S.	
0006	0134000000-E	240	DRAINAGE DITCH EXCAVATION	100 CY		
0007	0196000000-E	270	GEOTEXTILE FOR SOIL STABILIZA- TION	40 SY		
0008	0248000000-N	SP	GENERIC GRADING ITEM (TEMPORARY SHORING)	Lump Sum	L.S.	
0009	0318000000-E	300	FOUNDATION CONDITIONING MATE- RIAL, MINOR STRUCTURES	100 TON		
0010	0320000000-E	300	FOUNDATION CONDITIONING GEO- TEXTILE	310 SY		
0011	0335300000-E	305	18" DRAINAGE PIPE	172 LF		
0012	0335400000-E	305	24" DRAINAGE PIPE	36 LF		
0013	0448200000-E	310	15" RC PIPE CULVERTS, CLASS IV	168 LF		
0014	0448300000-E	310	18" RC PIPE CULVERTS, CLASS IV	168 LF		
0015	0448400000-E	310	24" RC PIPE CULVERTS, CLASS IV	380 LF		
0016	0576000000-E	310	*** CS PIPE CULVERTS, ***** THICK (96", 0.168")	10 LF		
0017	0988000000-E	310	GENERIC PIPE ITEM (96" CS PIPE BAND)	1 EA		
0018	0995000000-E	340	PIPE REMOVAL	397 LF		

County : Catawba

Line #	Item Number	Sec #	Description	Quantity	Unit Cost	Amount
0019	0996000000-N	350	PIPE CLEAN-OUT	1 EA		
0020	1220000000-E	545	INCIDENTAL STONE BASE	100 TON		
0021	1489000000-E	610	ASPHALT CONC BASE COURSE, TYPE B25.0B	140 TON		
0022	1519000000-E	610	ASPHALT CONC SURFACE COURSE, TYPE S9.5B	60 TON		
0023	1575000000-E	620	ASPHALT BINDER FOR PLANT MIX	10 TON		
0024	1704000000-E	SP	PATCHING EXISTING PAVEMENT	25 TON		
0025	2253000000-E	840	PIPE COLLARS	0.5 CY		
0026	2286000000-N	840	MASONRY DRAINAGE STRUCTURES	7 EA		
0027	2308000000-E	840	MASONRY DRAINAGE STRUCTURES	13 LF		
0028	2374000000-N	840	FRAME WITH GRATE & HOOD, STD 840.03, TYPE ** TYPE G	3 EA		
0029	2396000000-N	840	FRAME WITH COVER, STD 840.54	1 EA		
0030	2549000000-E	846	2'-6" CONCRETE CURB & GUTTER	500 LF		
0031	3380000000-E	862	TEMPORARY STEEL BM GUARDRAIL	515 LF		
0032	3533000000-E	866	CHAIN LINK FENCE, *** FABRIC (72")	100 LF		
0033	3539000000-E	866	METAL LINE POSTS FOR *** CHAIN LINK FENCE (72")	4 EA		
0034	3554000000-E	866	METAL GATE POSTS FOR *** CHAIN LINK FENCE, DOUBLE GATE (72")	2 EA		
0035	3565000000-E	866	DOUBLE GATES, *** HIGH, *** WIDE, *** OPENING (72", 8', 16')	1 EA		
0036	3649000000-E	876	RIP RAP, CLASS B	300 TON		

County : Catawba

Line #	Item Number	Sec #	Description	Quantity	Unit Cost	Amount
0037	3656000000-E	876	GEOTEXTILE FOR DRAINAGE	300		SY
0038	4400000000-E	1110	WORK ZONE SIGNS (STATIONARY)	48		SF
0039	4405000000-E	1110	WORK ZONE SIGNS (PORTABLE)	64		SF
0040	4430000000-N	1130	DRUMS	50		EA
0041	4445000000-E	1145	BARRICADES (TYPE III)	48		LF
0042	4455000000-N	1150	FLAGGER	4		DAY
0043	4485000000-E	1170	PORTABLE CONCRETE BARRIER	515		LF
0044	4490000000-E	1170	PORTABLE CONCRETE BARRIER (ANCHORED)	515		LF
0045	4810000000-E	1205	PAINT PAVEMENT MARKING LINES (4")	250		LF
0046	5070000000-N	1405	STANDARD FOUNDATION ***** (TYPE R1)	5		EA
0047	5155000000-E	1409	ELECTRICAL DUCT, TYPE BD, SIZE ***** (1 1/2")	300		LF
0048	6000000000-E	1605	TEMPORARY SILT FENCE	1,000		LF
0049	6006000000-E	1610	STONE FOR EROSION CONTROL, CLASS A	200		TON
0050	6009000000-E	1610	STONE FOR EROSION CONTROL, CLASS B	60		TON
0051	6012000000-E	1610	SEDIMENT CONTROL STONE	100		TON
0052	6015000000-E	1615	TEMPORARY MULCHING	0.5		ACR
0053	6018000000-E	1620	SEED FOR TEMPORARY SEEDING	100		LB
0054	6021000000-E	1620	FERTILIZER FOR TEMPORARY SEED- ING	0.4		TON
0055	6024000000-E	1622	TEMPORARY SLOPE DRAINS	200		LF

County : Catawba

Line #	Item Number	Sec #	Description	Quantity	Unit Cost	Amount
0056	6029000000-E	SP	SAFETY FENCE	300		LF
0057	6030000000-E	1630	SILT EXCAVATION	1,000		CY
0058	6036000000-E	1631	MATTING FOR EROSION CONTROL	2,500		SY
0059	6037000000-E	SP	COIR FIBER MAT	300		SY
0060	6042000000-E	1632	1/4" HARDWARE CLOTH	200		LF
0061	6070000000-N	1639	SPECIAL STILLING BASINS	8		EA
0062	6071010000-E	SP	WATTLE	100		LF
0063	6071020000-E	SP	POLYACRYLAMIDE (PAM)	25		LB
0064	6071030000-E	1640	COIR FIBER BAFFLE	300		LF
0065	6071050000-E	SP	*** SKIMMER (2.5")	1		EA
0066	6084000000-E	1660	SEEDING & MULCHING	2		ACR
0067	6090000000-E	1661	SEED FOR REPAIR SEEDING	25		LB
0068	6093000000-E	1661	FERTILIZER FOR REPAIR SEEDING	0.1		TON
0069	6096000000-E	1662	SEED FOR SUPPLEMENTAL SEEDING	150		LB
0070	6108000000-E	1665	FERTILIZER TOPDRESSING	0.5		TON
0071	6111000000-E	SP	IMPERVIOUS DIKE	100		LF
0072	6117000000-N	SP	RESPONSE FOR EROSION CONTROL	10		EA
0073	6132000000-N	SP	GENERIC EROSION CONTROL ITEM (CONCRETE WASHOUT STRUCTURE)	8		EA
0074	6133000000-N	SP	GENERIC EROSION CONTROL ITEM (BYPASS PUMP AROUND CULVERT)	Lump Sum	L.S.	

County : Catawba

Line #	Item Number	Sec #	Description	Quantity	Unit Cost	Amount
0075	8035000000-N	402	REMOVAL OF EXISTING STRUCTURE AT STATION ***** (2+88)	Lump Sum	L.S.	
0076	8126000000-N	414	CULVERT EXCAVATION, STA ***** (3+00 TO 6+00)	Lump Sum	L.S.	
0077	8133000000-E	414	FOUNDATION CONDITIONING MATERIAL, BOX CULVERT	200 TON		
0078	8196000000-E	420	CLASS A CONCRETE (CULVERT)	520 CY		
0079	8245000000-E	425	REINFORCING STEEL (CULVERT)	50,163 LB		
0080	8664000000-E	SP	SHOTCRETE REPAIRS	10 CF		
0081	8860000000-N	SP	GENERIC STRUCTURE ITEM (CLEAN OUT EXISTING CULVERT)	Lump Sum	L.S.	

1454/Oct28/Q63357.0/D321451110000/E81

Total Amount Of Bid For Entire Project :